

Smart
connections.

Data sheet

PIKO 36 EPC

EPC

PIKO EPC: Smart Power – Optimised costs and high levels of safety



Smart Project Design

Optimised generator design with system voltage of up to 1,100 V

Integrated KOSTAL Smart AC Switch takes the place of the external circuit breaker

KOSTAL Smart DC Guard protects the generator. Loss-free and requires no maintenance. No need for string fuses.

Simple DC installation at an attractive cost without any string distribution boxes

Generator is disconnected on site by integrated DC voltage separator

Over-assignment of up to 50% (DC to AC) permits flexible generator design

Smart Performance

Maximum energy yield thanks to high certified efficiency (>98%)

In the event of an error, individual strings are shut down to maintain high availability

The connected PV strings are monitored in pairs for optimum monitoring and service

Integrated, certified grid service functions ensure reliable operation

Smart Connected

Simple communication (daisy chain) via dual LAN interface (RJ45) with integrated switch

Tried and tested communication via RS485 bus integrated as standard

Compatible with many plant controllers and data loggers, so you can use the monitoring system you prefer

Integrated data loggers back system information up at all times

Smart Installation

Optimum protection from dust and water for tough outdoor use (protection class IP65)

Low weight for simple transport and installation

Quick, uncomplicated, and tool-free AC and DC installation

Prepared for protection against overvoltage on the AC, DC and communication side

Cost-optimised 4-wire AC connection, no neutral wire

Technical data PIKO EPC

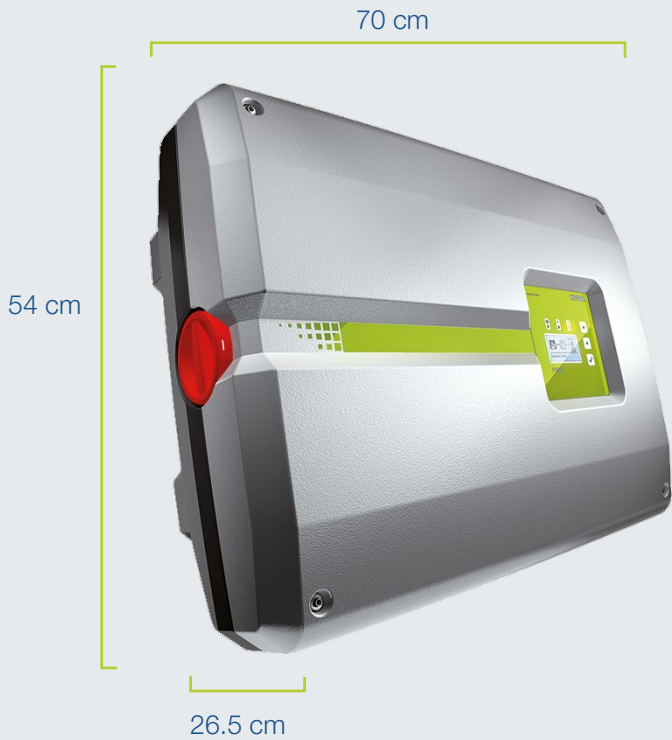
	Power class		36
Input side (DC)	Max. PV power ($\cos \varphi = 1$)	kWp	54
	Nominal DC power	kW	37
	Rated input voltage ($U_{DC,r}$)	V	580 ¹
	Start-up input voltage ($U_{DCstart}$)	V	580 ¹
	Input voltage range ($U_{DCmin} - U_{DCmax}$)	V	560 ¹ ...1100
	MPP range at rated output ($U_{MPPmin} - U_{MPPmax}$)	V	580 ¹ ...800
	MPP working voltage range ($U_{MPPworkmin} - U_{MPPworkmax}$)	V	580 ¹ ...1000
	Max. working voltage ($U_{DCworkmax}$)	V	1000
	Max. input current (I_{DCmax}) per DC pair (DC1-2, DC3-4, DC5-6)	A	30
	Max. PV short-circuit current ($I_{SC,PV}$) per DC pair	A	32.5
	Number of DC inputs		6
	Number of independent MPP trackers		1
	Output side (AC)	Rated power, $\cos \varphi = 1$ ($P_{AC,r}$)	kW
Max. apparent output power, $\cos \varphi_{adj}$		kVA	36
Min. output voltage (U_{ACmin})		V	320
Max. output voltage (U_{ACmax})		V	460
Rated output current		A	52
Max. output current (I_{ACmax})		A	55
Short-circuit current (peak/RMS)		A	82.4/58.3
Grid connection			3~, 400V, 50 Hz
Rated frequency (f_r)		Hz	50
Min./max. grid frequency (f_{min}/f_{max})		Hz	47.5/52
Setting range of the power factor ($\cos \varphi_{AC,r}$)			0.8...1...0.8
Power factor for rated power ($\cos \varphi_{AC,r}$)			1
Max. THD		%	3
Standby (night-time consumption)		W	3.7
η		Max. efficiency	%
	European efficiency	%	98.3
	Californian efficiency	%	98.4
	MPP adjustment efficiency	%	99.9

¹ 560 V at 380 V AC and 610 V at 415 V AC

² KOSTAL Smart Warranty: 5-year warranty only after registration in the KOSTAL Solar online shop

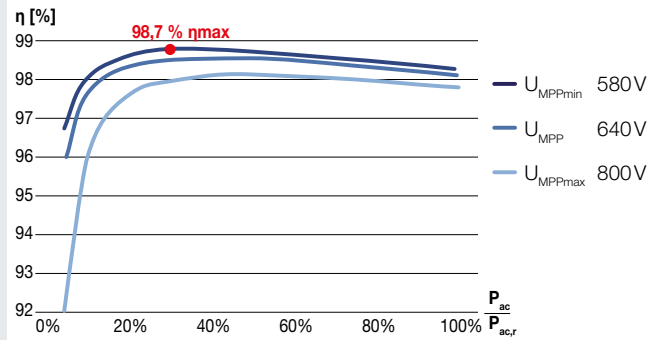
	Power class		36
System data	Topology: Without galvanic isolation – transformerless		✓
	Protection class in accordance with IEC 60529		IP 65
	Protective class in accordance with IEC 62103		I
	Overvoltage category in accordance with IEC 60664-1, input side (PV generator)		II
	Overvoltage category in accordance with IEC 60664-1, output side (grid connection)		III
	DC/AC overvoltage protection		Optional: type 2
	LAN/RS485 overvoltage protection		Optional
	Degree of contamination		4
	Environmental category (outdoor installation)		✓
	Environmental category (indoor installation)		✓
	UV resistance		✓
	AC cable diameter (min-max)	mm	16...28
	AC cable cross-section (min-max)	mm ²	16...25
	DC cable cross-section (min-max)	mm ²	4...6
	Max. fuse protection on output side		B100 / C100
	Internal operator protection in accordance with EN 62109-2		RCMU/RCCB type B
	Automatic switching device integrated in accordance with VDE V 0126-1-1		H
	Height/width/depth	mm (in)	540/700/265 (21.26/27.56/10.43)
	Weight	kg (lb)	51.0 (112.5)
	Cooling principle – regulated fans		✓
	Max. air throughput	m ³	-
	Max. noise emission	dBA	64
	Ambient temperature	°C (°F)	-25...60 (-13...140)
	Max. installation altitude above sea level	m (ft)	3000 (9843)
	Relative humidity	%	4...100
	Connection technology, DC side		SUNCLIX plug
	Connection technology, AC side		Spring-type terminal strip
Interfaces	Ethernet LAN (RJ45)		2
	RS485		1
	S0		1
	Analogue inputs		4
	Potential-free contact for self-consumption control		1
	Websserver (user interface)		✓
	KOSTAL Smart Warranty / Warranty ²⁾	Years	5 (2)
	Optional warranty extension for (years)		5/10/15
Directives/Certification		CE, GS, EN62109-1, EN62109-2, TR3, TR4, TR8, BDEW, VDE-AR-N 4105, NA/EEA, VDE 0126-1-1, CEI 0-16, C10/11, RD661, PO12.3, G59/3-2, IEC 62116, IEC 61727, EN 50438*, CLC/TS 50549-1, TSE K 191, CLC/TS 50549-2, TSE K 192, TOR D4, ERDF-PRO-RES 64E	
* Does not apply to all national annexes to EN 50438			

PIKO EPC – The best choice for your project

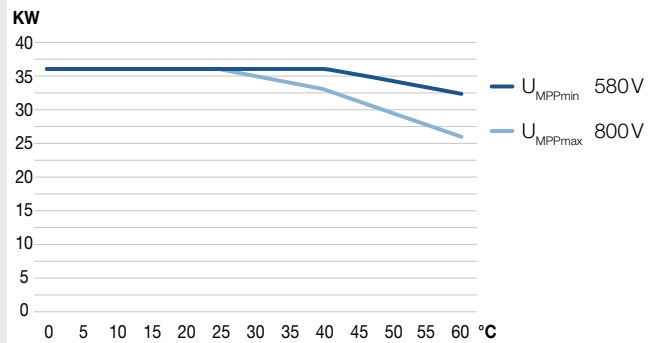


PIKO 36 EPC

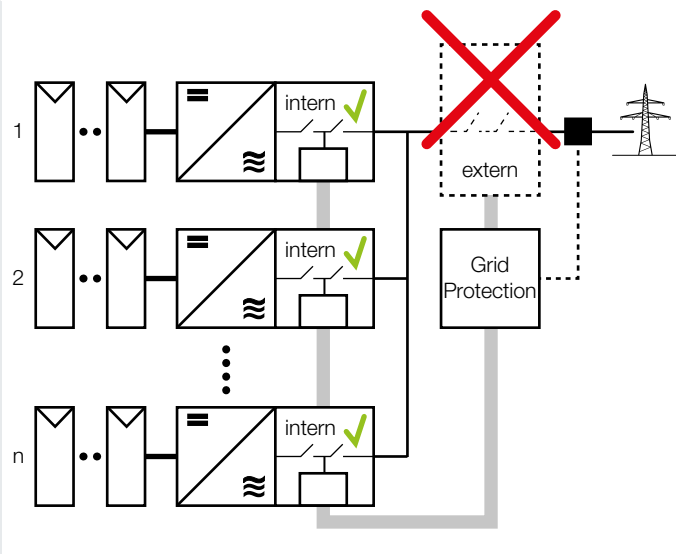
Efficiency characteristic



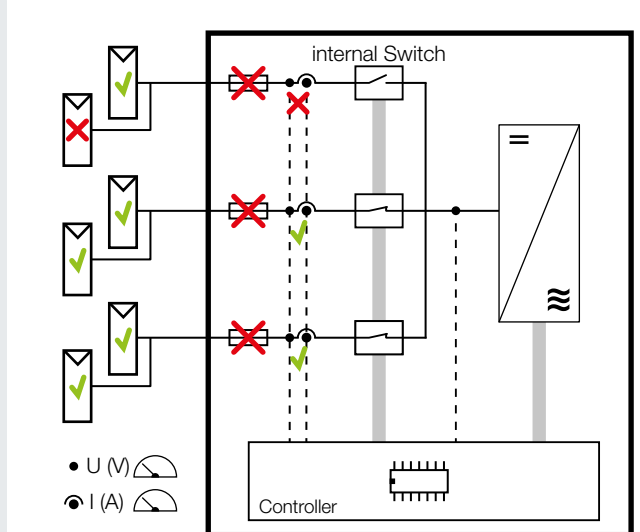
Temperature derating



KOSTAL Smart AC Switch



KOSTAL Smart DC Guard



Services for our products

FAQs: kostal-solar-electric.com/Service_Support

Product registration, KOSTAL Smart Warranty, warranty extension or purchase of accessories: shop.kostal-solar-electric.com

Get in touch: service-solar@kostal.com

KOSTAL

KOSTAL Solar Electric GmbH
Hanferstr. 6
79108 Freiburg i. Br.
Deutschland
Telefon: +49 761 47744 - 100
Fax: +49 761 47744 - 111

KOSTAL Solar Electric Ibérica S.L.
Edificio abm
Ronda Narciso Monturiol y Estarriol, 3 Torre
B, despachos 2 y 3
Parque Tecnológico de Valencia
46980 Valencia
España
Teléfono: +34 961 824 - 934
Fax: +34 961 824 - 931

KOSTAL Solar Electric France SARL
11, rue Jacques Cartier
78280 Guyancourt
France
Téléphone: +33 1 61 38 - 4117
Fax: +33 1 61 38 - 3940

KOSTAL Solar Electric Hellas E.Π.Ε.
47 Steliou Kazantzidi st., P.O. Box: 60080 1st
building – 2nd entrance
55535, Pilea, Thessaloniki
Ελλάδα
Τηλέφωνο: +30 2310 477 - 550
Φαξ: +30 2310 477 - 551

KOSTAL Solar Electric Italia Srl
Via Genova, 57
10098 Rivoli (TO)
Italia
Telefono: +39 011 97 82 - 420
Fax: +39 011 97 82 - 432

KOSTAL Solar Elektrik Turkey
Mahmutbey Mah. Taşocağı Yolu Cad.
No:3 (B Blok), Ağaoğlu My Office 212
Kat:16, Ofis No:269
Bağcılar - İstanbul / Türkiye
Telefon: +90 212 803 06 24
Faks: +90 212 803 06 25

www.kostal-solar-electric.com